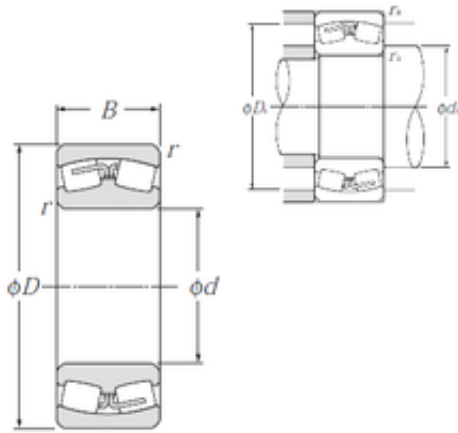


560 mm x 750 mm x 140 mm NTN 239/560 Spherical Roller Bearings



Bearing No. 239/560

Size	560x750x140 mm
Bore Diameter	560 mm
Outer Diameter	750 mm
Width	140 mm
d	560 mm
D	750 mm
B	140 mm
C	140 mm
r min.	5 mm
da min.	582 mm
Da max.	728 mm
ra max.	4 mm
Weight	182 Kg
Basic dynamic load rating (C)	2 830 kN
Basic static load rating (C0)	6 700 kN
(Grease) Lubrication Speed	380 r/min
(Oil) Lubrication Speed	490 r/min
Calculation factor (e)	0,16
Calculation factor (Y0)	4
Calculation factor (Y1)	4,09

239/560 Bearing 2D drawings and 3D CAD models