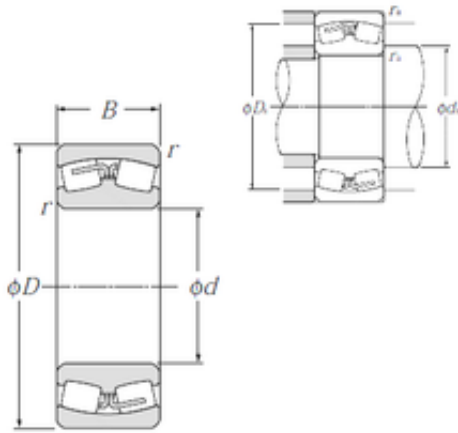


360 mm x 540 mm x 134 mm NTN 23072B Spherical Roller Bearings



Bearing No. 23072B

23072B Bearing 2D drawings and 3D CAD models

Size	360x540x134 mm
Bore Diameter	360 mm
Outer Diameter	540 mm
Width	134 mm
d	360 mm
D	540 mm
B	134 mm
C	134 mm
r min.	5 mm
da min.	382 mm
Da max.	518 mm
ra max.	4 mm
Weight	110 Kg
Basic dynamic load rating (C)	2 370 kN
Basic static load rating (C0)	4 700 kN
(Grease) Lubrication Speed	590 r/min
(Oil) Lubrication Speed	770 r/min
Calculation factor (e)	0,24
Calculation factor (Y0)	2,72
Calculation factor (Y1)	2,78
Category	Bearings
Inventory	0.0
Manufacturer Name	NTN
Minimum Buy Quantity	N/A
Weight / Kilogram	119



FIK DRIVESHAFT AEIRGJRSON, INC.

EAN	4547359521153
Product Group	B04311